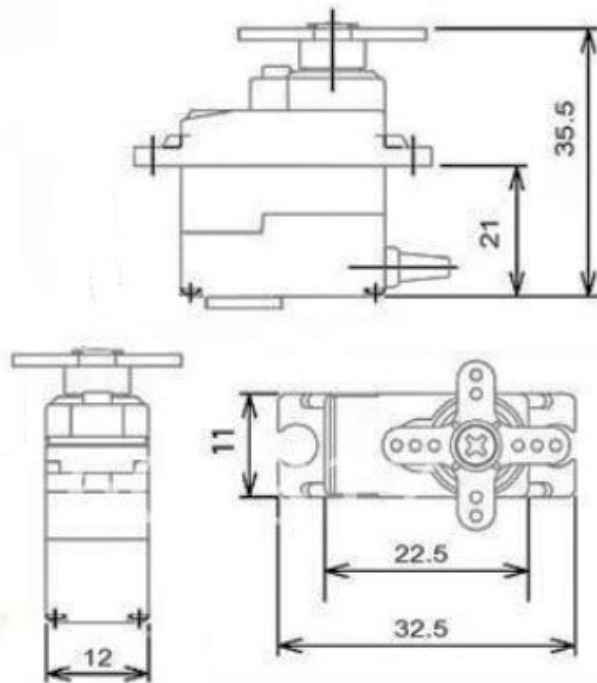


## MG90S Metal Gear Servo



### MG90S servo, Metal gear with one bearing

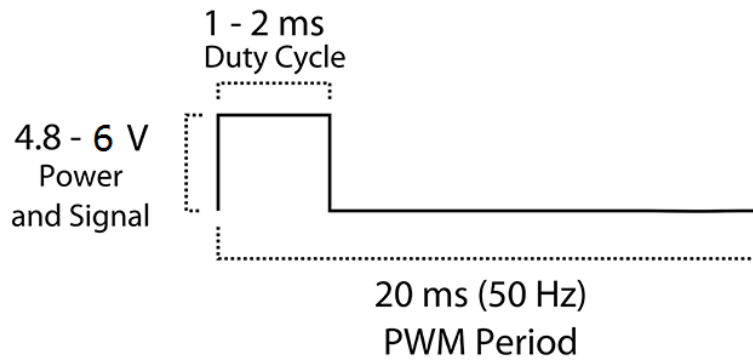
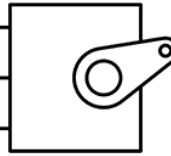
Tiny and lightweight with high output power, this tiny servo is perfect for RC Airplane, Helicopter, Quadcopter or Robot. This servo has *metal gears* for added strength and durability.

Servo can rotate approximately 180 degrees (90 in each direction), and works just like the standard kinds but *smaller*. You can use any servo code, hardware or library to control these servos. Good for beginners who want to make stuff move without building a motor controller with feedback & gear box, especially since it will fit in small places. It comes with a 3 horns (arms) and hardware.

### Specifications

- Weight: 13.4 g
- Dimension: 22.5 x 12 x 35.5 mm approx.
- Stall torque: 1.8 kgf·cm (4.8V ), 2.2 kgf·cm (6 V)
- Operating speed: 0.1 s/60 degree (4.8 V), 0.08 s/60 degree (6 V)
- Operating voltage: 4.8 V - 6.0 V
- Dead band width: 5  $\mu$ s

PWM=Orange (⏏)  
Vcc = Red (+)  
Ground=Brown (-)



Position "0" (1.5 ms pulse) is middle, "90" (~2 ms pulse) is all the way to the right, "-90" (~1 ms pulse) is all the way to the left.